

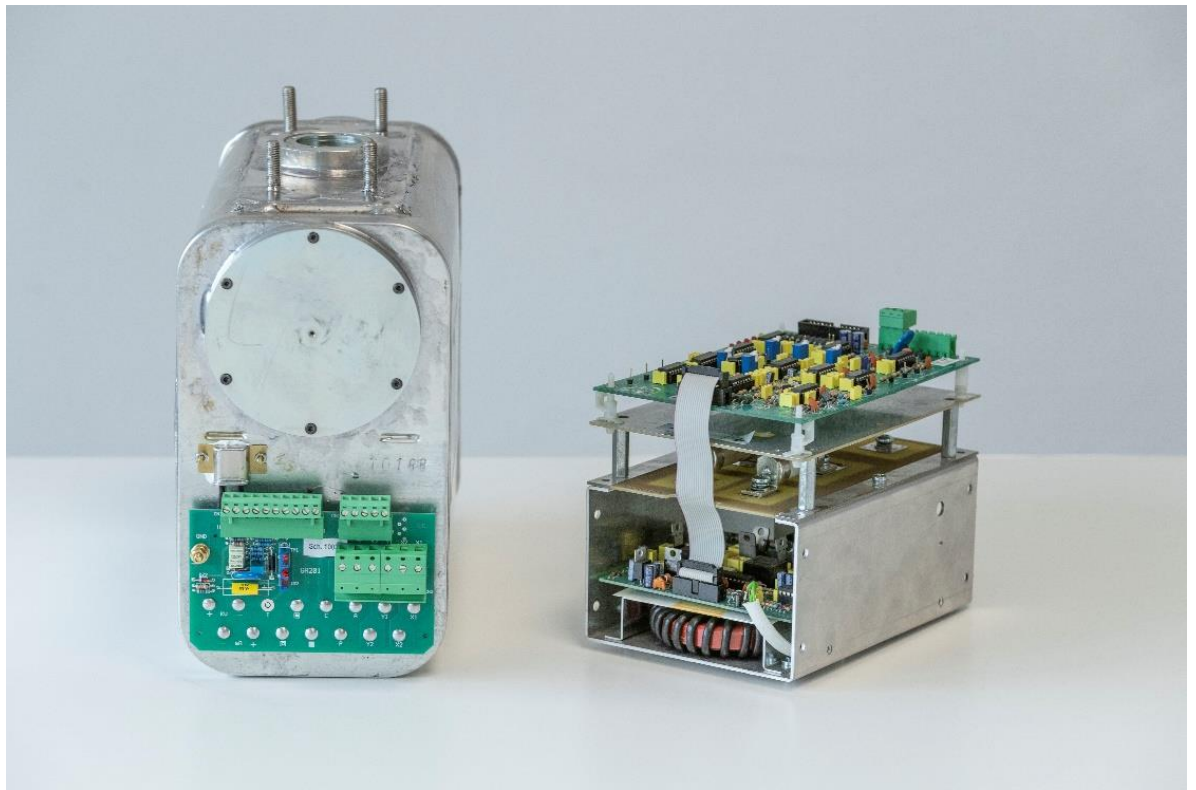


# MONOBLOCK AND INVERTER HF 11 kW ROTATING ANODE

SI - 7676 - 9857  
OO - 47 - 4913 - 876 - 0048  
IO - O\_01173 - 9452 - K - 8954



# TECHNICAL DATA SHEET



RAMPOLDI X-RAY SRL - Via Monte Grappa, 66 / 68 - 20833 Giussano (MB) - ITALIA - P. IVA: IT 03008120135 - REA: MB - 2598569

☎ +39 02 96 74 08 04

@ amministrazione@rampoldixray.it

🌐 www.rampoldixray.it

Partners





The HF 11 kW monoblock is wholly designed and produced by Rampoldi X-Ray and is composed by a HF 11 kW monoblock generator with rotating anode in oilbath with a high voltage transformer and is controlled by a feedback circuit. The monoblock generator is fed and controlled by a high frequency power inverter.

Product manufactured with certified system **UNI EN ISO 13485**.

According to customer requirements the X-Ray tube can be of different brands and have different focus.

### TECHNICAL DATA – MONOBLOCK GENERATOR

|                           |             |
|---------------------------|-------------|
| Power:                    | 11 kW       |
| Max Voltage:              | 125 kV      |
| Max Current:              | 140 mA      |
| Current Max. Performance: | 80 mA       |
| Frequency:                | 40 kHz      |
| Monoblock Size:           | 31x14x25 cm |
| Weight:                   | 19 Kg       |

### X-RAY TUBE

Rotating Anode Monofocal and Bifocal Tube

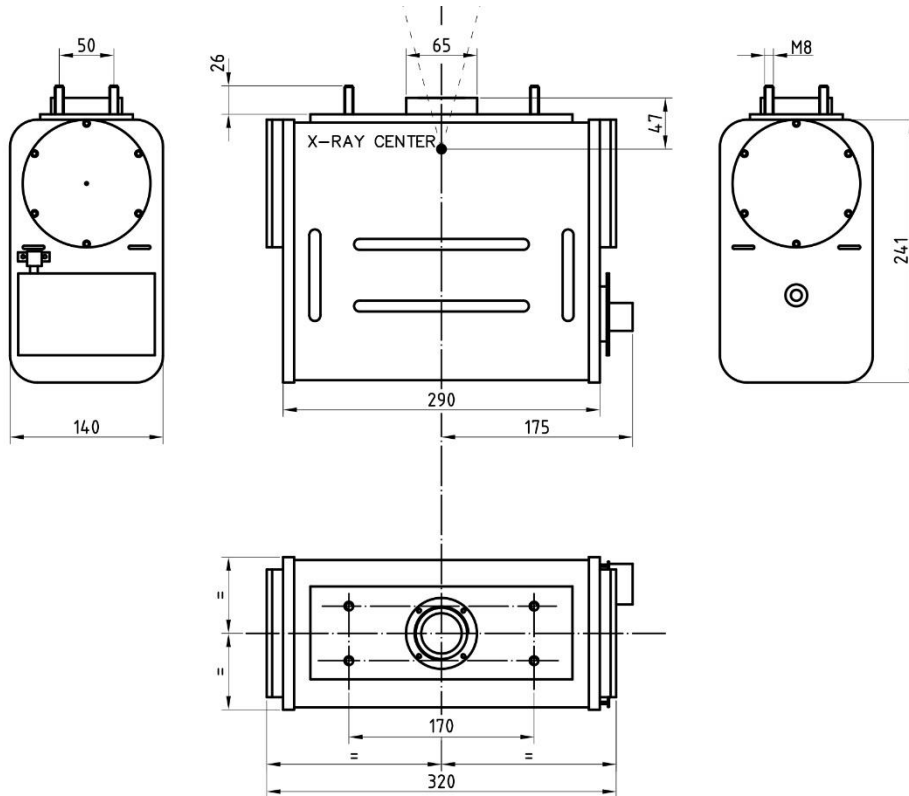
|                              |                |
|------------------------------|----------------|
| Focal Spot:                  | 0,8 – 1,3 mm   |
| Focus:                       | 11 – 27 kW     |
| Heat Capacity:               | 50 kj – 67 kHU |
| Anode Angle:                 | 15 degrees     |
| Angle Diameter:              | 64 mm          |
| Max. Anode Heat Dissipation: | 175 W          |
| Anode Rotation:              | 2800 rpm       |

### INVERTER

|                |                             |
|----------------|-----------------------------|
| Power:         | 11 kW                       |
| Line Voltage:  | 300 V.D.C.                  |
| Max Frequency: | 20 kHz                      |
| Protection:    | Shortcircuit<br>Overcurrent |



## MONOBLOCK HF 11 kW



## INVERTER HF 11 kW





Visit us on [www.rampoldixray.it](http://www.rampoldixray.it) or contact [commerciale@rampoldixray.it](mailto:commerciale@rampoldixray.it) for more information and details about our products.

---

RAMPOLDI X-RAY SRL - Via Monte Grappa, 66 / 68 - 20833 Giussano (MB) - ITALIA - P. IVA: IT 03008120135 - REA: MB - 2598569

 +39 02 96 74 08 04

 [amministr@rampoldixray.it](mailto:amministr@rampoldixray.it)

 [www.rampoldixray.it](http://www.rampoldixray.it)

Partners

 **TOP**  
SRL

 **tpa**

 **CSO**  
**MED**  
SYSTEMS