

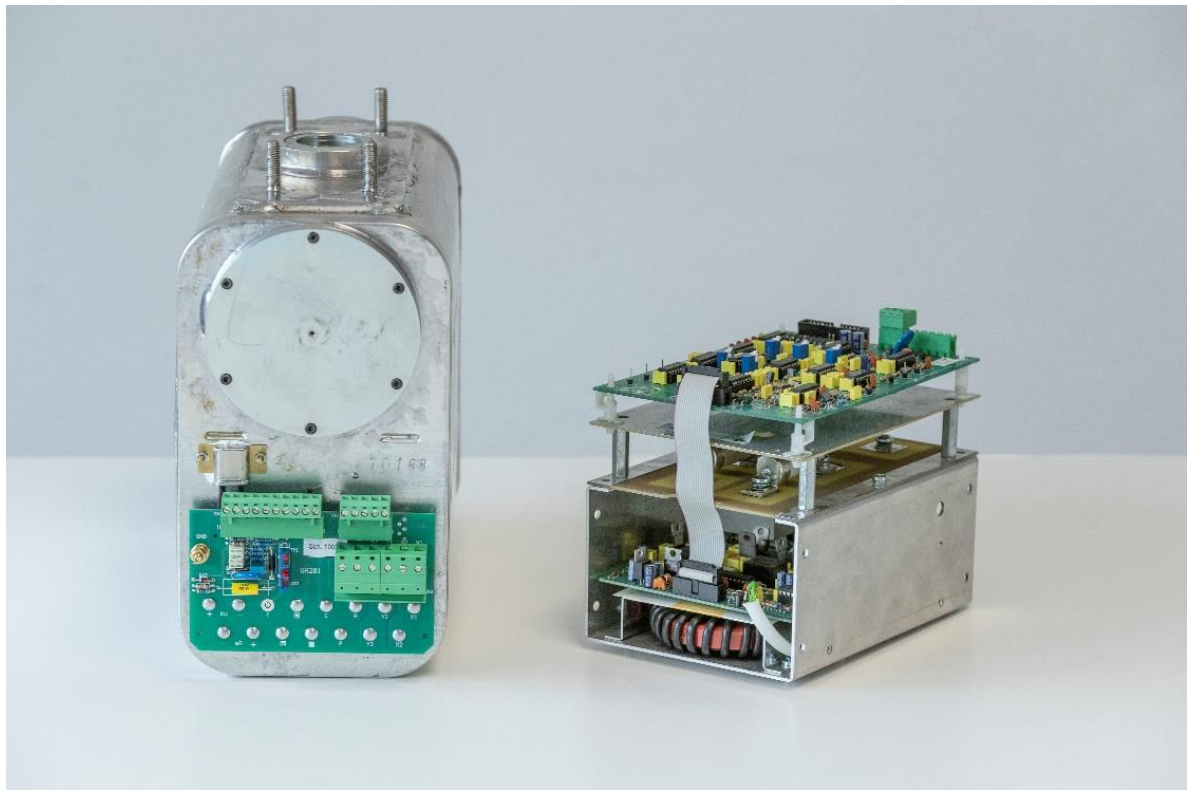


MONOBLOCK AND INVERTER HF 11 kW STATIONARY ANODE

SI - 76.76 - 9857
OD - 47 - 4913 - 576 - 9048
ID - O_01173 - 9483 - K - 8954



TECHNICAL DATA SHEET



RAMPOLDI X-RAY SRL - Via Monte Grappa, 66 / 68 - 20833 Giussano (MB) - ITALIA - P. IVA: IT 03008120135 - REA: MB - 2598569

+39 02 96 74 08 04

amministrazione@rampoldixray.it

www.rampoldixray.it

Partners





The stationary anode HF 11 kW system is wholly designed and produced by Rampoldi X-Ray and is composed by a HF 11 kW monoblock generator with stationary anode in oilbath with a high voltage transformer and is controlled by a feedback circuit. The monoblock generator is fed and controlled by a high frequency power inverter.

Product manufactured with certified system **UNI EN ISO 13485**.

According to customer requirements the X-Ray tube can be of different brands and have different focus.

MONOBLOCK GENERATOR

| | |
|--------------------------|-------------|
| Power: | 11 kW |
| Max Voltage: | 110 kV |
| Max Current: | 70 mA |
| Current Max Performance: | 30 mA |
| Frequency: | 40 kHz |
| Monoblock Size: | 31x14x25 cm |
| Weight: | 16 Kg |

X-RAY TUBE

Monofocal and Bifocal Stationary anode Tube

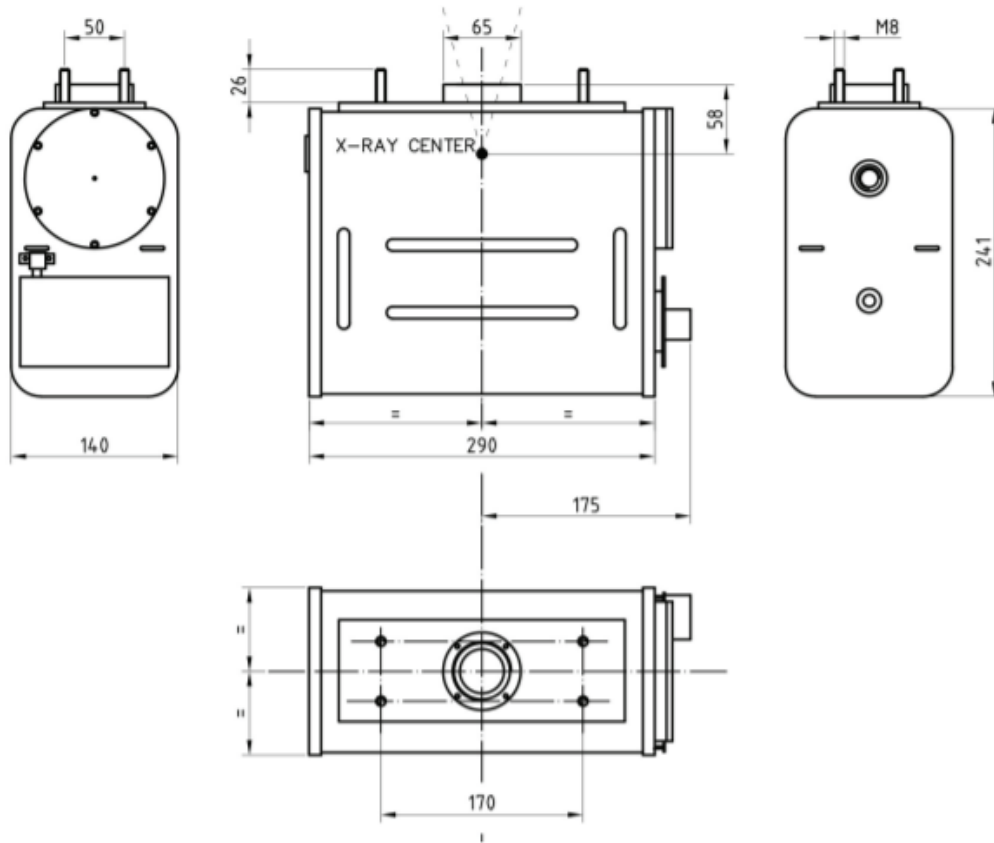
| | |
|------------------------------|--------------|
| Focal spot: | 0,6 – 1,8 mm |
| Focus: | 1,1 – 5,3 kW |
| Heat Capacity: | 30 kj |
| Anode Angle: | 15° |
| Max. Anode Heat Dissipation: | 270 W |

INVERTER

| | |
|----------------|--|
| Power: | 11 kW |
| Line Voltage: | 300 V.D.C. |
| Max Frequency: | 20 kHz a IGBT |
| Protection: | Shortcircuit Overcurrent Overvoltage |



MONOBLOCK HF 11 kW



INVERTER HF 11 kW





Visit us on www.rampoldixray.it or contact commerciale@rampoldixray.it for more information and details about our products.