

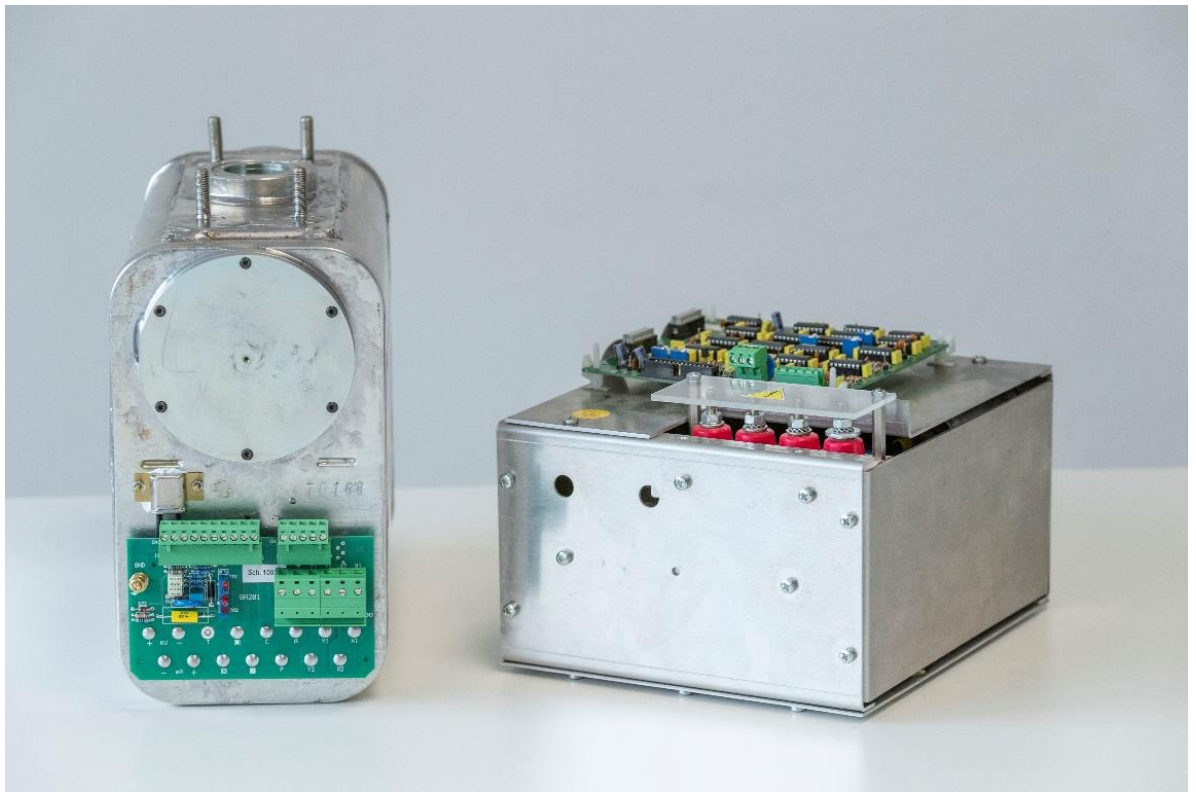


MONOBLOCK AND INVERTER HF 30 kW ROTATING ANODE

SI - 7676 - 9857
OO - 47 - 4913 - 876 - 0048
IO - O_01173 - 9452 - K - 8954



TECHNICAL DATA SHEET



RAMPOLDI X-RAY SRL - Via Monte Grappa, 66 / 68 - 20833 Giussano (MB) - ITALIA - P. IVA: IT 03008120135 - REA: MB - 2598569

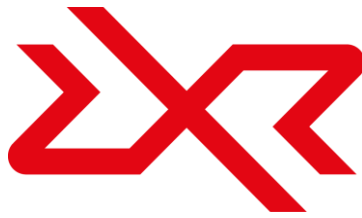
+39 02 96 74 08 04

amministrazione@rampoldixray.it

www.rampoldixray.it

Partners





The HF 30 kW system is wholly designed and produced by Rampoldi X-Ray and is composed by a HF 30 kW monoblock generator with rotating anode in oilbath with a high voltage transformer and is controlled by a feedback circuit. The monoblock generator is fed and controlled by a high frequency power inverter.

Product manufactured with certified system **UNI EN ISO 13485**.

According to customer requirements the X-ray tube can be of different brands and have different focus.

TECHNICAL DATA – MONOBLOCK GENERATOR

Power:	30 kW
Max Voltage:	125 kV
Max Current:	300 mA
Current Max Performance:	250 mA
Frequency:	40 kHz
Monoblock Size:	31x14x25 cm
Weight:	19 Kg

X-RAY TUBE

Monofocal and Bifocal Rotating anode tube

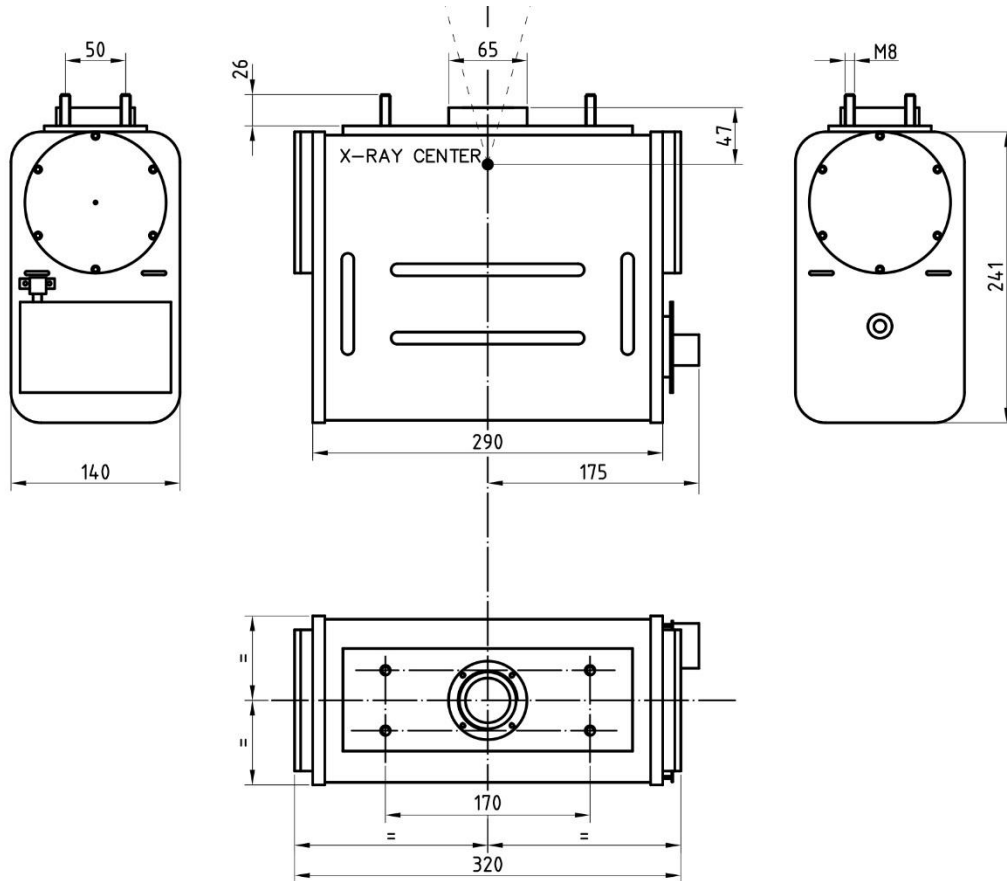
Focal Spot:	0,8 – 1,3 mm
Dual Focus X-Ray tube:	11 – 27 kW
Heat Capacity:	80 kj – 107 kHU
Anode Angle:	15 degrees
Anode Diameter:	64 mm
Anode Heat Dissipation:	300 W
Anode Rotation:	2800 rpm

INVERTER

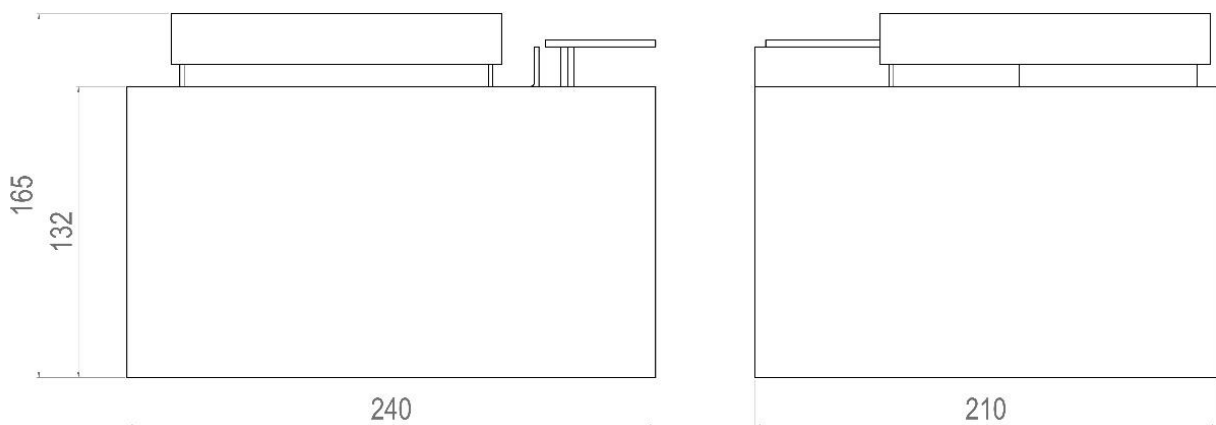
Power:	30 kW
Line Voltage:	325 V.D.C.
Max Frequency:	20 kHz a IGBT
Protection:	Shortcircuit Overcurrent Overvoltage



MONOBLOCK HF 30 kW



INVERTER HF 30 kW





Visit us on www.rampoldixray.it or contact commerciale@rampoldixray.it for more information and details about our products.